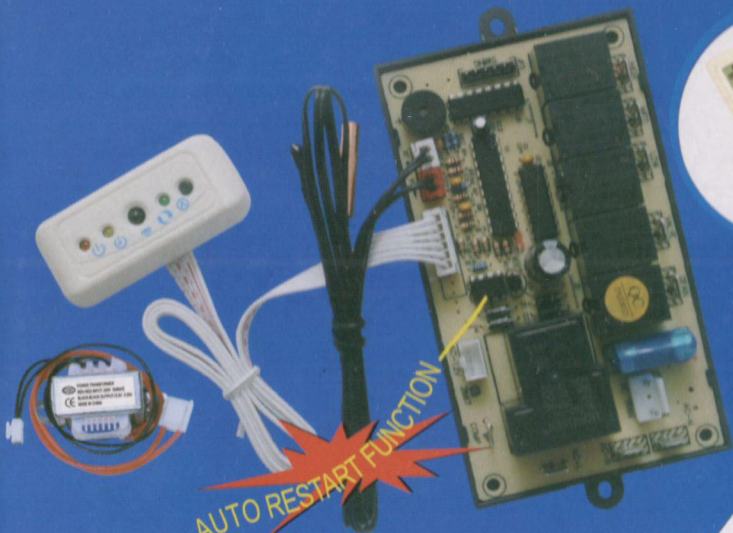


UNIVERSAL A/C CONTROL SYSTEM

 **NEW**

MODEL
QD-U03C+



AUTO RESTART FUNCTION



- High Quality
- Full Function
- Economic Model

5 Working Mode.

3 Fan Speed.

Accurate & Stable
Temperature Control

Accurate & Stable
Auto Fan

Timer Inline/Offline

Sleep

Auto Defrost

Double Sensor

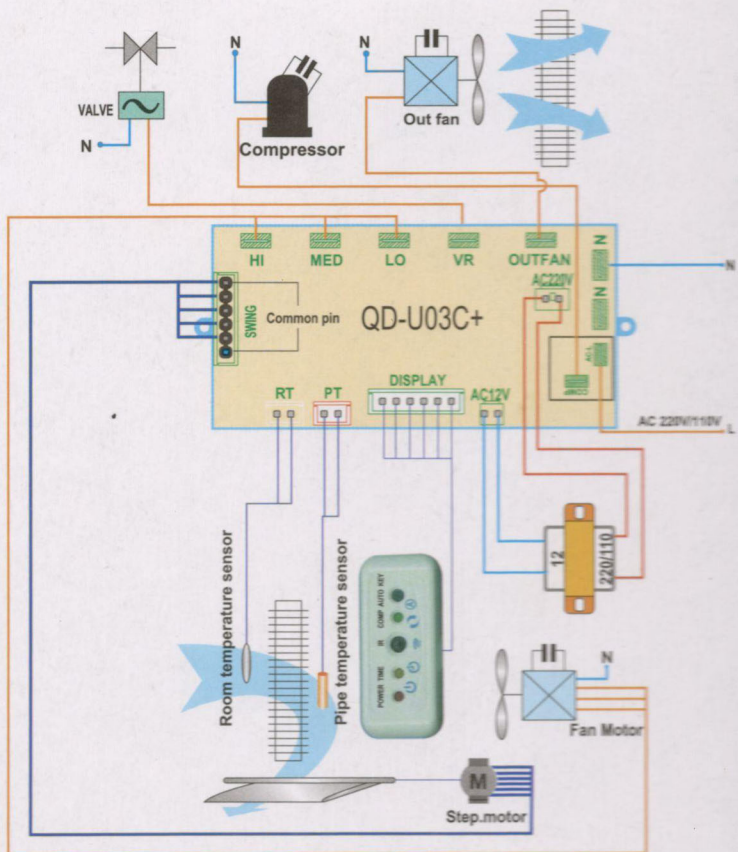
Prevent cold wind in heating mode

Auto restart function

Outdoors fan is controlled independently

Deluxe receiver,nice appearance,
work status visual display

Transformer connection upgrade
fast plug socket,more convenience
for installation



! This product does not apply inverter A.C

- Avoid strong light before IR receiver
- The common pins of swing socket are 12V output.
The common pin of step motor should be inserted into one of the common pins of swing socket. If the direction of step motor is wrong, insert the common pin of step motor to other common pin of swing socket.